

IP67

Dasqua[®] WATER-PROOF DIGITAL CALIPER

- DIN 862
- Battery + CR2032
- mm/in/F
- IP67 COOLANT & FLUID RESISTANT

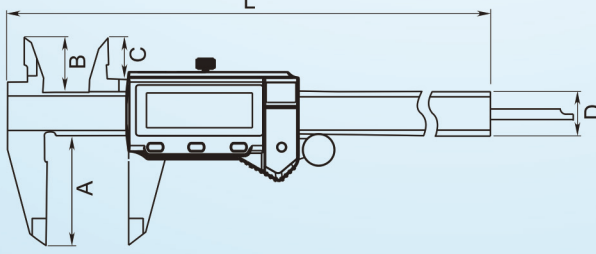


- The accuracy of both the upper and lower jaws are strictly controlled.
- Electronic components all perfectly sealed
- Solid stainless steel construction
- Integral frame

- Inductive measurement system
- A-class static protection
- With calibration certificate
- Hardened stainless steel blade for long life
- mm/inch/fraction



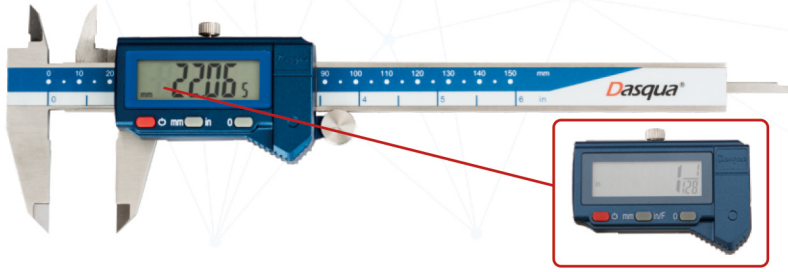
- Strictly made in accordance with DIN862



Unit:mm

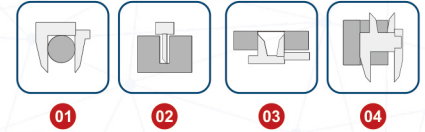
Item No.	Measuring range	Reading	A	B	C	D	L	Accuracy	Price
2015-1005	0-150/0-6"	0.01/0.0005"/1/128"	40	20	15.5	16	235	0.02/0.001"	\$67.97
2015-1010	0-200/0-8"	0.01/0.0005"/1/128"	50	24	19.5	16	287	0.03/0.0015"	\$94.66
2015-1015	0-300/0-12"	0.01/0.0005"/1/128"	60	26	21.5	16	390	0.03/0.0015"	\$136.02

Dasqua® IP54 WATER PROOF DIGITAL CALIPER



Fraction

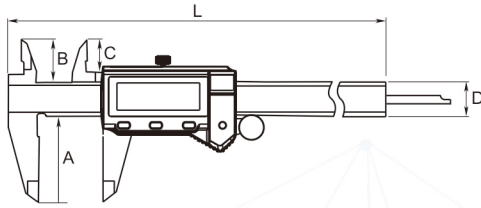
- NEW Advanced design
- Strictly made in accordance with **DIN862**
- IP54 protection against water, oil, dust or any other liquid
- Silky smooth movement throughout
- Hardened, ground and lapped measuring surfaces



CERTIFICATE

CERTIFICATE		Dasqua®	
Product Name	Digital Caliper	Serial No.	181073328
Measuring range	0 - 150mm / 0 - 6"	Outside measuring (mm)	
Resolution	0.01mm / 0.0005"	Gauge Block	10 11.5 13.4 200 243.5 281.2
Standard temperature	20 °C / 68 °F	Run-out (mm)	0 0.001
Humidity	30%	Norm	0.001
Conclusion	Passed	Inside measuring (mm)	0 0.001
Inspector	thul	Ring gauge	0 0.001
		Run-out (mm)	0 0.001
		Depth measuring (mm)	0 0.001
		Gauge Block	20
		Run-out (mm)	0 0.001
		Step control	OK
		Function	OK

Unit:mm



Item No.	Measuring range	Reading	A	B	C	D	L	Accuracy	Price
9020-1005	0-150mm/0-6"	0.01mm/0.0005"/1/128"	40	20	15.5	16	235	0.01mm/0.001"	\$43.85
2000-1010	0-200mm/0-8"	0.01mm/0.0005"/1/128"	50	24	19.5	16	287	0.03mm/0.0015"	\$73.56
2000-1015	0-300mm/0-12"	0.01mm/0.0005"/1/128"	60	26	21.5	16	390	0.03mm/0.0015"	\$99.42



Dasqua® ABSOLUTE DIGITAL CALIPER

- IP54 protection against water, oil, dust or any other liquid
- Hardened stainless steel blade for long life
- Silky smooth movement throughout

Absolute function-NEW and GREAT for precision inspection:

All Dasqua digital calipers with this logo "Absolute" are equipped with the innovative Absolute-Reference System. The zero position just needs to be set once: After setting the zero position, the zero remains memorized for all further measurements. Therefore, once the caliper is switched ON or the slider is moved, the caliper is immediately ready for measurement.

Conventional

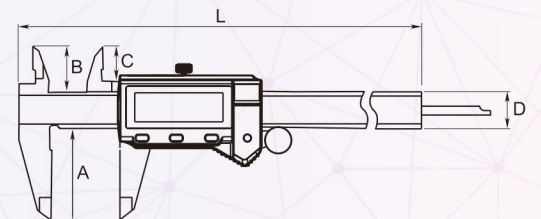


Absolute

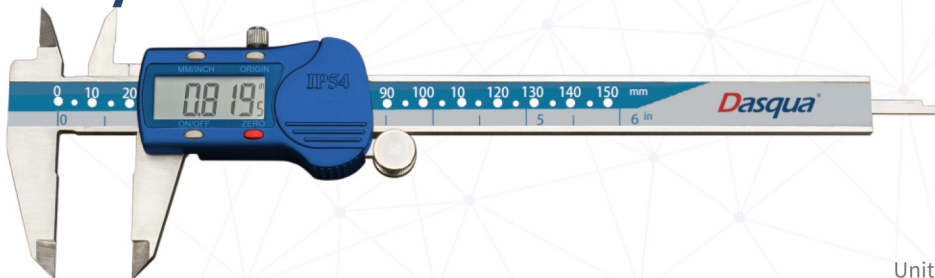


Unit:mm

Item No.	Measuring range	Reading	A	B	C	D	L	Accuracy	Price
2010-1005	0-150mm/0-6"	0.01mm/0.0005"	40	20	15.5	16	235	0.02mm/0.001"	\$58.54
2010-1010	0-200mm/0-8"	0.01mm/0.0005"	50	24	19.5	16	287	0.03mm/0.0015"	\$82.00
2010-1015	0-300mm/0-12"	0.01mm/0.0005"	60	26	21.5	16	390	0.03mm/0.0015"	\$112.74



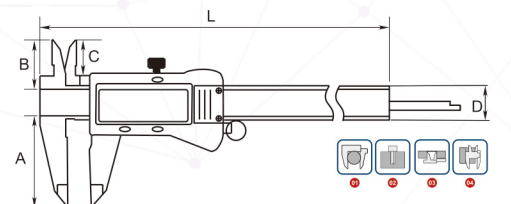
Dasqua® METAL HOUSING BIG SCREEN DIGITAL CALIPER



- Stainless steel frame
- Silky smooth movement throughout
- Hardened, ground and lapped measuring surfaces

Unit:mm

Item No.	Measuring range	Reading	A	B	C	D	L	Accuracy	Price
2117-9105	0-150mm/0-6"	0.01mm/0.0005"	40	20	15.5	16	235	0.02mm/0.001"	\$43.81
2117-9110	0-200mm/0-8"	0.01mm/0.0005"	50	24	19.5	16	287	0.03mm/0.0015"	\$68.95
2117-9115	0-300mm/0-12"	0.01mm/0.0005"	60	26	21.5	16	290	0.03mm/0.0015"	\$102.90



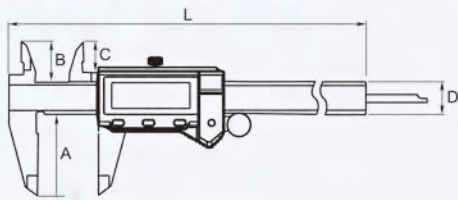
Dasqua® NEW BUILT-IN BLUETOOTH IP54 ABSOLUTE DIGITAL CALIPER



- Strictly made in accordance with **DIN862**
- IP54 protection against water, oil, dust or any other liquid
- Silky smooth movement throughout
- Hardened, ground, and lapped measuring surface



Connect to any Bluetooth devices



Unit:mm

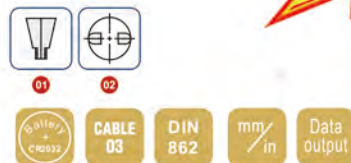
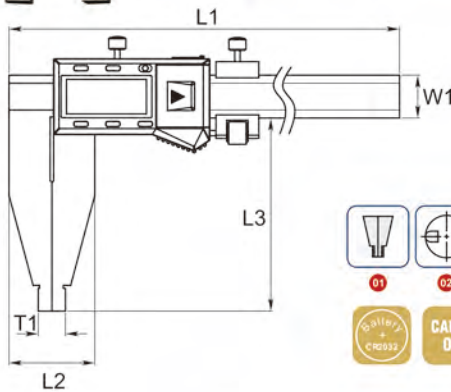
Item No.	Measuring range	Reading	A	B	C	D	L	Accuracy	Price
2025-1005	0-150mm/0-6"	0.01mm/0.0005"/1/128"	40	20	15.5	16	235	0.02mm/0.001"	\$79.97
2025-1010	0-200mm/0-8"	0.01mm/0.0005"/1/128"	50	24	19.5	16	287	0.03mm/0.0015"	\$106.78
2025-1015	0-300mm/0-12"	0.01mm/0.0005"/1/128"	60	26	21.5	16	290	0.03mm/0.0015"	\$137.02

Dasqua® INDUSTRIAL HEAVY DUTY DIGITAL CALIPER

Competitive Price compared to other industrial-grade heavy calipers



- Strictly made in accordance with DIN862
- With fine Adjustment
- With hold function
- Hardened stainless steel construction for long life
- Metric/Inch conversion



Long Jaw



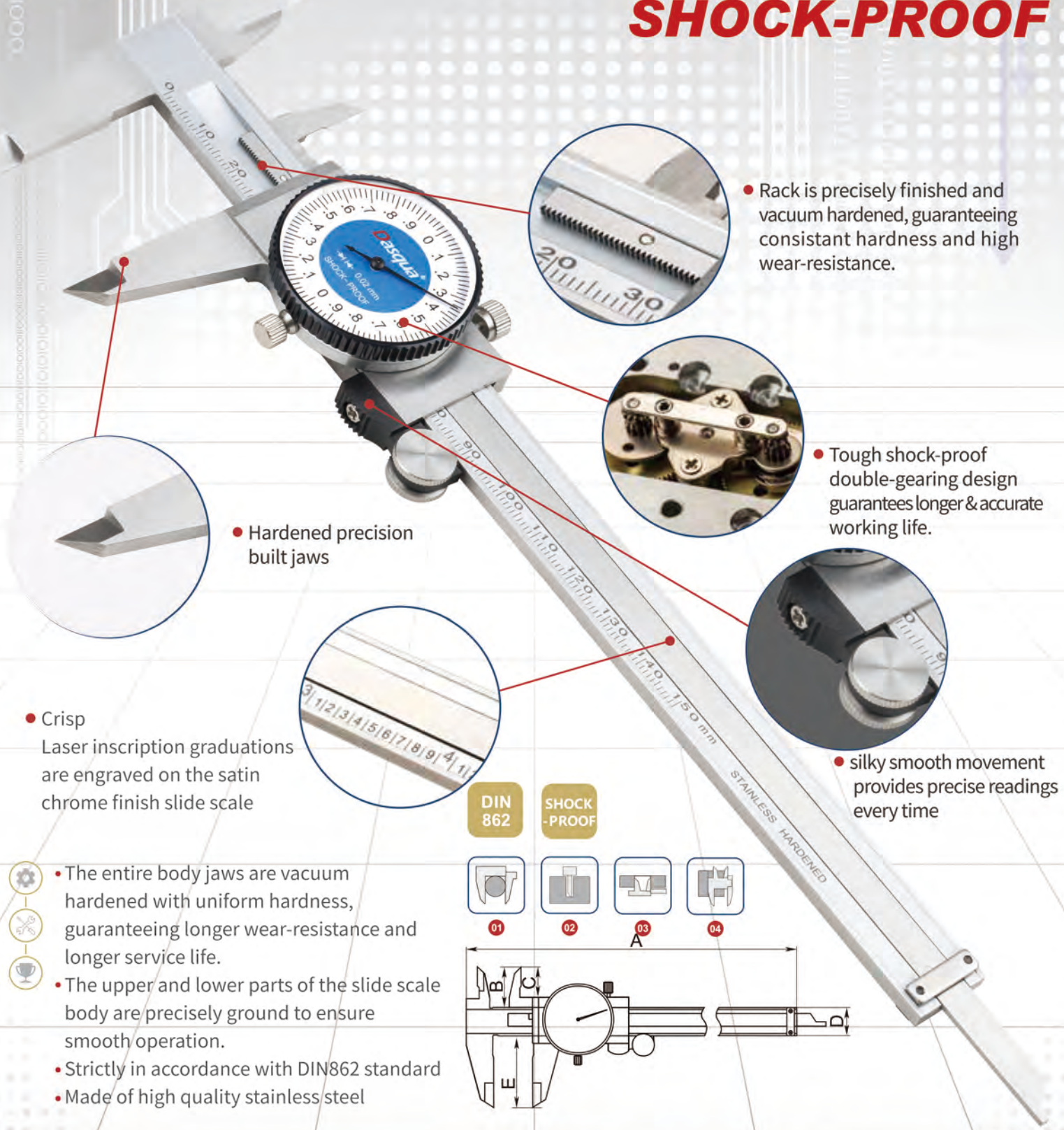
Item No.2220-9999
Cable 3
(\$71.37)

Unit:mm

Item No.	Measuring range	Reading	L1	L2	L3	W1	T1	Accuracy	Price
2220-8113	0-300mm/0-12"	0.01mm/0.0005"	445	40	90	20	12.7	0.04mm/0.002"	\$122.59
2220-8116	0-600mm/0-24"	0.01mm/0.0005"	770	44	100	24	20.32	0.05mm/0.002"	\$208.67
2220-8119	0-300mm/0-12"	0.01mm/0.0005"	1210	46	125	30	20.32	0.06mm/0.002"	\$469.53

Dasqua[®] MACHINIST GRADE DIAL CALIPER

DOUBLE SHOCK-PROOF



• Rack is precisely finished and vacuum hardened, guaranteeing constant hardness and high wear-resistance.

• Tough shock-proof double-gearing design guarantees longer & accurate working life.

• silky smooth movement provides precise readings every time

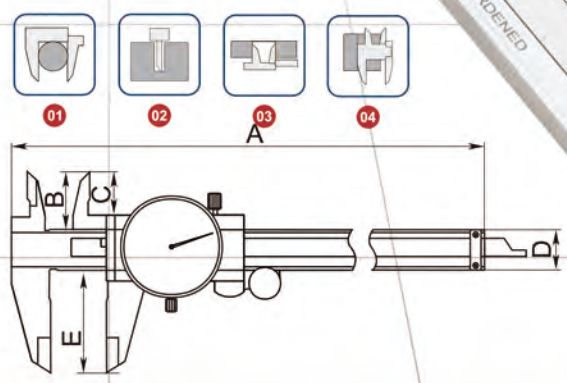
• Hardened precision built jaws

• Crisp Laser inscription graduations are engraved on the satin chrome finish slide scale

DIN 862

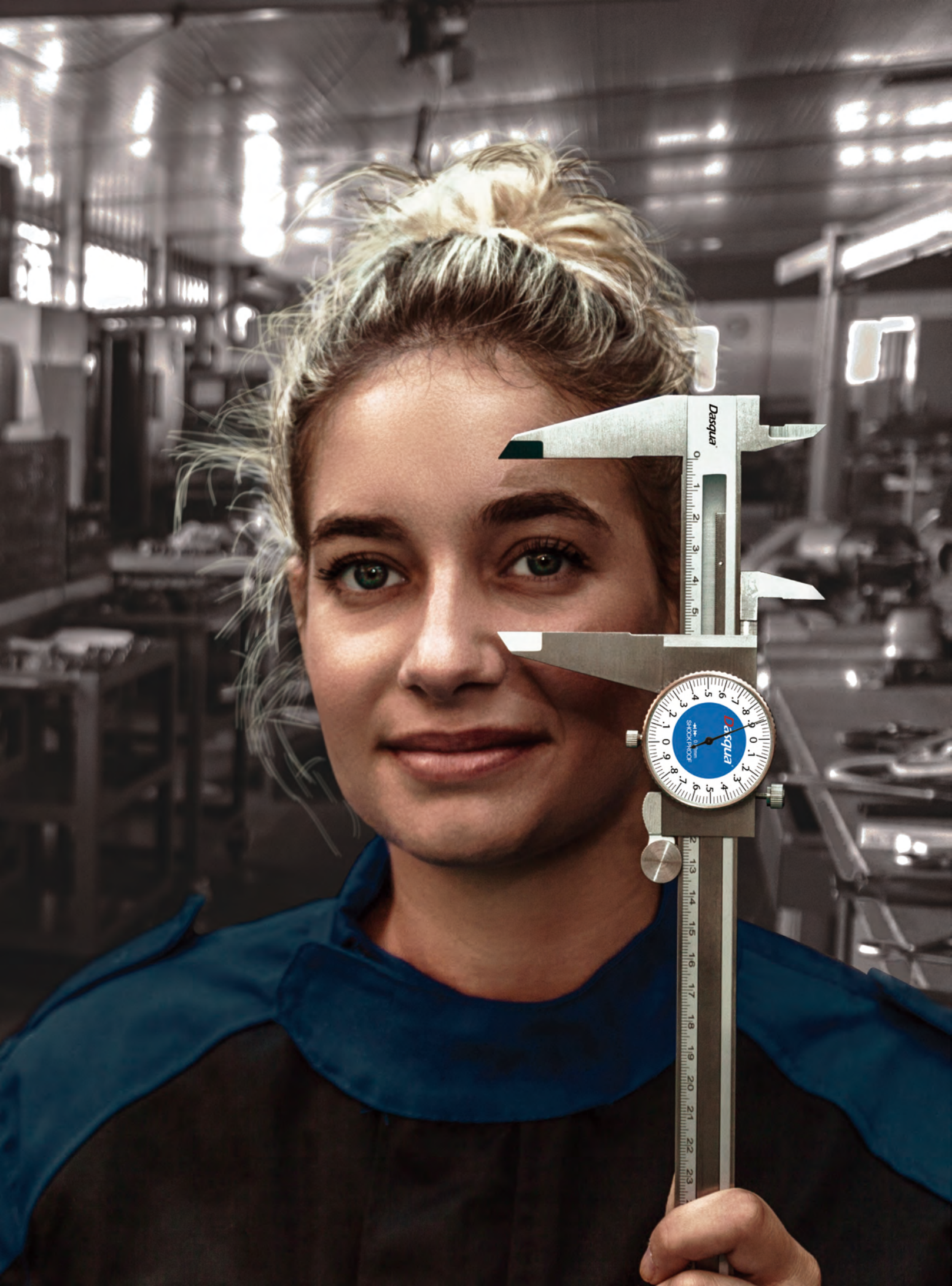
SHOCK-PROOF

- The entire body jaws are vacuum hardened with uniform hardness, guaranteeing longer wear-resistance and longer service life.
- The upper and lower parts of the slide scale body are precisely ground to ensure smooth operation.
- Strictly in accordance with DIN862 standard
- Made of high quality stainless steel



Unit:mm

Item No.	Measuring range	Graduation	A	B	C	D	E	Accuracy	Price
1332-4105	0-4"	0.001"	169	18	13	13.3	30	0.001"	\$48.97
1332-4110	0-6"	0.001"	236	21	16.5	16	40	0.001"	\$42.91
1332-4115	0-8"	0.001"	285	24	20	16	48	0.0015"	\$70.44
1332-4120	0-12"	0.001"	410	28	22	20	62	0.0015"	\$98.53



Dasqua® MICROMETER HEAD

- Used for improving accuracy in machines, gauging, test equipment, electronics, optical instruments and machine instruments
- Satin chrome finished- no glare and resists rust
- Quick reading on thimble
- Flat face spindle with high precision
- Ratchet thimble and threads are hardened ground and lapped for consistent repeatability and accuracy.
- Quick and easy adjustment



Unit:inch

Item No.	Inch	Accuracy	Price
4812-5105	0-0.25" 0.001"	0.0015"	\$20.28
4812-5110	0-0.5" *0.001"	0.0015"	\$20.28
4812-5115	0-1" *0.001"	0.0015"	\$22.45
4812-5120	0-2" *0.001"	0.0015"	\$55.87

Dasqua® TUBULAR INSIDE MICROMETER

- Strictly made in accordance with DIN863
- Satin chrome finish
- Various extension rods provide a wide measuring range.
- Supplied with a standard gauge for zero setting
- Micrometer heads vary from 50mm to 63mm.
Each micrometer head is with an extension rod depending on the customers' desired measuring range.
- Measuring rods hardened,ground and lapped



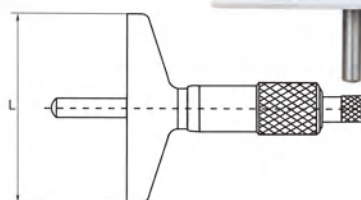
Unit:Inch

Item No.	Measuring range	Resolution	Extension Rod	Accuracy	Price
4312-5103	2-5.5"	0.001"			\$124.34
4312-5106	2-4"	0.001"	0.5",1"	0.00025"	\$135.41
4312-5109	2-12"	0.001"	1/2",1",2",2",4"		\$196.38
4312-5112	2-20"	0.001"	0.5",1",2"(2pcs),4",8"	0.00065"	\$248.14



Dasqua® DEPTH MICROMETER

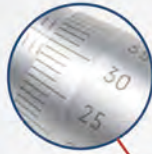
- For measuring depth of holes, parts with grooves or elevated surfaces
- Satin chrome finish
- Ratchet thimble and threads are hardened ground and lapped for consistent repeatability and accuracy.
- Positive locking clamp
- Clear and easy-to-read graduations
- With fitted case



Item No.	Inch	L(mm)	Price
4612-5105	0-1"/0.001"	63	\$54.66
4612-5110	0-2"/0.001"	102	\$57.32
4612-5115	0-3"/0.001"	102	\$65.277
4612-5120	0-4"/0.001"	102	\$75.84

Dasqua® IP65 DIGITAL OUTSIDE MICROMETER

- Strictly made in accordance with DIN863 and with calibration certificate



- Clear easy to read graduation lines
Laser inscription and engraving

- Carbide measuring surface (Hardness $\geq 89\text{HRA}$) guarantees longer working life and higher wear resistance.



Precision ratchet thimble cap maintains uniform measuring pressure to reduce errors



IP65 protection, ensuring precision performance in harsh environments

- Large easy-to-read LED screen



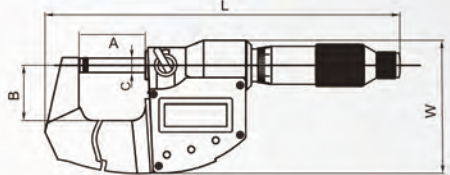
- A-class static protection



- Display absolute position at startup



- Insulating grips are employed on the frame to reduce heat transfer



Unit: mm

Item No.	Measuring Range	Resolution	A	B	C	L	W	H	Accuracy	Price
4410-1105	0-25/0-1"	0.001/0.00005"	29.8	24.5	φ6.5	159.5	59.6	23.5	0.003/0.00015"	\$108.72
4410-1110	25-50/1-2"	0.001/0.00005"	55.3	31	φ6.5	188.5	75.7	23.5	0.003/0.00015"	\$124.94
4410-1115	50-75/2-3"	0.001/0.00005"	80.8	44	φ6.5	219	90.7	23.5	0.004/0.00015"	\$136.17
4410-1120	75-100/3-4"	0.001/0.00005"	105.8	56	φ6.5	246.5	107.2	23.5	0.004/0.00015"	\$153.12
4410-1125	100-125/4-5"	0.001/0.00005"	130.8	68	φ6.5	278	125.3	23.5	0.005/0.0002"	\$180.24
4410-1130	125-150/5-6"	0.001/0.00005"	155.8	81	φ6.5	307.5	141.3	23.5	0.005/0.0002"	\$217.37



Dasqua® TELESCOPING GAUGE SET

Long reach up to **12"**

- Great tool for easy and accurate measurements of the true sizes of holes and slots
- Satin chrome finish
- Rigid handle with self-centering feature
- Constant spring tension for uniform feel & smooth operation
- Contact plunger automatically self-centering at all times and in all positions



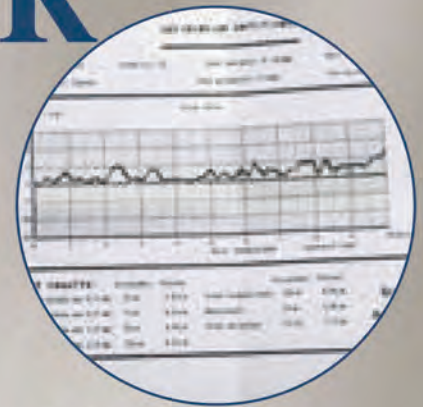
Item No.	Measuring Range	Depth	Price
5911-0001	5/16-1/2", 1/2-3/4", 3/4-1-1/4", 1 1/4-2 1/8", 2 1/8-3 1/2", 3 1/2-6"; 8-12.7mm, 12.7-19mm, 19-32mm, 32-54mm, 54-90mm, 90-152.4mm;	Up to 12"/300mm	\$56.84
5911-0002	5/16-1/2", 1/2-3/4", 3/4-1-1/4", 1 1/4-2 1/8", 2 1/8-3 1/2", 3 1/2-6"; 8-12.7mm, 12.7-19mm, 19-32mm, 32-54mm, 54-90mm, 90-152.4mm;	Up to 4"/100mm	\$33.33



Dasqua[®] INDICATOR

METRIC DIAL

DIN 878



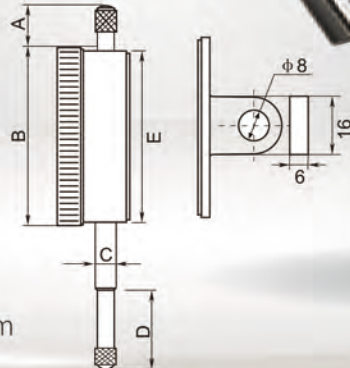
• **Strictly** made in accordance with DIN878;



• Internal gears, teeth, clamps, etc. are all plated.



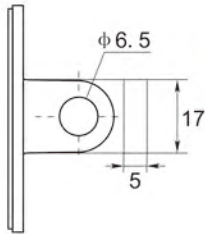
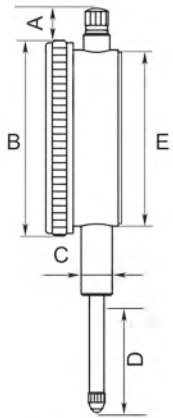
• Poles are precisely grinded, which guarantees concentricity.



- Strictly made in accordance with DIN878
- With calibration certificate
- Casing diameter:58mm; Shank diameter:8mm
- With limit hands and bezel clamp
- **Dual back: flat back installed, lug back included**

Item No.	Measuring range	Graduation	A	B	C	D	E	Accuracy	Price
5111-1205	0-10	0.01	6	φ58	φ8	20	φ55	0.017	\$37.80

Dasqua[®] DIAL INDICATOR



DIN
878



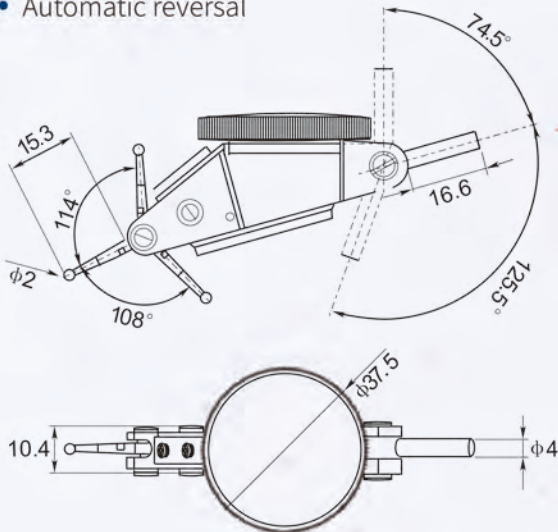
- Strictly made in accordance with DIN878
- **Jeweled bearing 5122-4215**
- Casing diameter: 58mm, shank diameter: 8mm
- Satin chrome-plated steel case

Unit:mm

Item No.	Measuring range	Scale divisions	Style	A	B	C	D	E	Accuracy	Protection standard	Price
5122-4210	0-1"	0.001"	lug back	8.5	58	8	40.9	53.5	0.002"		\$23.52
5122-4215	0-2"	0.001"	lug back	79.3	58	8	57.7	53.5	0.004"	Jeweled Bearing	\$62.91

Dasqua[®] INCH OR METRIC DOUBLE RANGE TEST INDICATOR

- With extra contact point 0.04" & 0.12"
- High precision contact point
- 210° swivel arc
- Jeweled bearing
- Automatic reversal



Item No.	Measuring range	Reading	Dial	Dial Reading	Price
5221-1115	1.6mm	0.01mm	25mm	0-40-0	\$96.82
5222-6110	0.06"	0.0005"	25mm	0-40-0	\$96.82

Born in Italy Raised by the world



CABLE 01
 BLUETOOTH TRANSMITTER
 WIRELESS TRANSMITTER
 Absolute
 Data output
 mm/in/F

Dasqua® ABSOLUTE DIGITAL INDICATOR



Item No.2140-9999
 Cable 1(\$97.58)



Item No.2140-9997
 Wireless transmitter (\$125.44)



Item No.2140-9998
 Bluetooth transmitter (\$41.88)



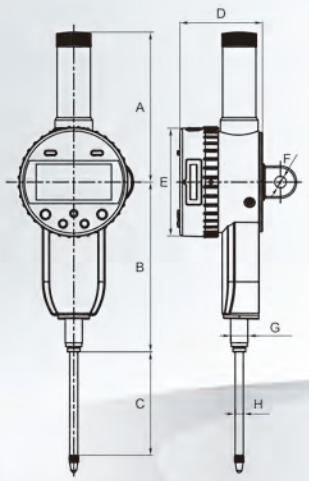
• Large rotatable LCD display with clear reading



• Low power consumption assures longer service life



• More function: On/Off button, Preset, Origin, ABS/Zero and mm/inch switchable, achieving multifunctional



- Absolute function
- Large easy-to-read Digital display
- Positive, tactile-feel button activation
- Data output
- "+ or -" direction set
- High precision contact point
- Flat back
- Lug back optional

Code	Measuring range	Resolution	A	B	C	D	E	F	G	H	Accuracy	Price
5340-8105	0-12.7mm/0-1/2"	0.01mm/0.0005"	60.2	53.8	14.2	40.2	φ60.1	φ6.5	φ8 or φ1/8"	φ4.5	0.01mm/0.0005"	\$168.31
5340-8115	0-50.8mm/0-2"	0.01mm/0.0005"	83.7	94.8	57.7	46.1	φ61.1	φ6.5	φ8 or φ1/8"	φ4.5	0.015mm/0.001"	\$221.55
5340-9110	0-25.4mm/0-1"	0.001mm/0.00005"	55.7	68.8	32.7	46.2	φ61.1	φ6.5	φ8 or φ1/8"	φ4.5	0.004mm/0.00016"	\$307.01

Unit:mm

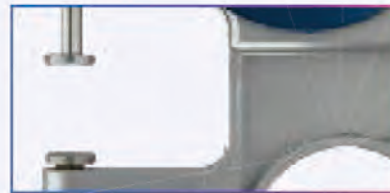


Dasqua® DIGITAL THICKNESS GAUGE

- Buttons: ON/OFF, ZERO, MM/INCH/FRACTIONAL, ABS, HOLD
- Thickness measurement for different materials
- Automatic power off



Item No.2220-9999
Cable 3
(\$71.37)



Item No.	Measuring range	Reading	Accuracy	Price
2140-8110	0-25mm/0-1"	0.0005"/0.01mm	0.05mm/0.002"	\$40.75

Dasqua® COMBINED RANGE DIAL BORE GAUGE SET

1.4-2.4"
2-4"
2-6"
NORMAL

VS

1.4-6"
DASQUA

- The biggest measuring range set in industry!
- Two popular bore gauges with different ranges combined into one economical set
- Carbide anvils
- Easy-to-read
- Insulated cover
- Chrome plated handle
- Including extension holder and fitted case



Item No.	Measuring Range	Resolution	Price
5512-6120	1.4-2.4"	0.0005"	\$109.91
5512-6125	2-4"	0.0005"	\$109.91
5512-6130	2-6"	0.0005"	\$112.20
5510-0000	1.4-6"	0.0005"	\$162.13

Dasqua® LOCK'T MAGNETIC BASE

DASQUA
\$98.60
10.0KG
 (Arm Locking Power)

COMPARE !
 ANOTHER BRAND
\$302.00
11.0KG



6mm, 8mm, 3/8"

• **Three clamping holes**

Designed with three clamping holes, which are suitable for metric and inch dial indicators, plus dovetail groove for test indicators, bringing great convenience & holding capabilities



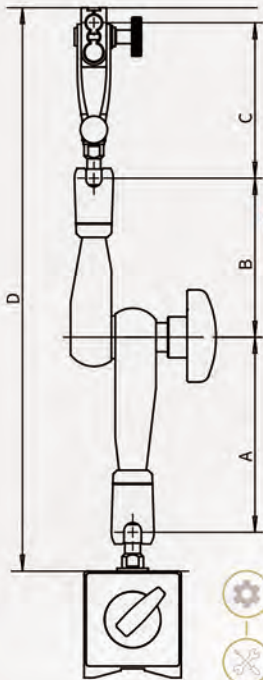
• **Ergonomic design**

Ergonomic-designed tightening knob provides comfortable and firm grip; Flexible and super strong rotary joints, produce smooth adjustments in any direction or location



• **Super force locking mechanical universal arm**

New type locking mechanism, super strong arm lock and super tight locking force guarantees long life and firm positioning



- All wear parts use hardened high grade steel and with hardness over HRC 58°.
- Inner structure is made of bearing steel.

• **CNC Machining**

Main parts produced on CNC machines, providing extremely accurate and high precision fit. Ensuring high quality and high stability



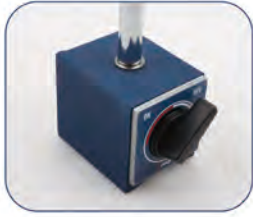
Threaded mount

Unit:mm

Item No.	Power	Base specification	Thread mount	A	B	C	Reach length (D)	Price
7121-0020	50KG	36x30x35	M6x1.00	62	52	79	220	\$82.17
7121-0025	80KG	60x50x55	M8x1.25	100	82	81	290	\$87.69
7121-0030	100KG	74x50x55	M8x1.25	145	95	81	355	\$98.60

Dasqua® MAGNETIC BASE WITH FINE ADJUSTMENT

Clamping 4mm diameter hole & 8mm diameter stem



- Highest quality craftsmanship
- V-grooved base for easy and secure mount on cylindrical parts
- Chrome plate rods
- Horizontal or vertical positioning capability
- Blue wrinker finish on non-working surfaces
- Fine quality permanent magnet
- Smooth and easy on/off switch



Item No.	Holding Power	Base	Main Pole	Sub Pole	Dia. of Clamp Hole	Weight	Fine Adjustment	Price
7122-0004	60kg	60x50x55mm	φ12x176mm	φ10x150mm	6.0/8.0mm	1.5kg	With Fine Adjustment	\$20.64

Dasqua® UNIVERSAL DIGITAL PROTRACTOR



With one extra 90° square

- High contrast display
- All measuring face are hardened, ground and lapped.
- Hardened stainless steel
- With fine adjustment

Item No.	Measuring range	Reading	Accuracy	Price
1021-2005	0-360°	1'	±5'	\$392.20

Dasqua® DOUBLE-BEAM DIAL HEIGHT GAUGE



- Large easy-to-read Digital display
- Double stainless beams assure high accuracy.
- Zero-setting can be obtained throughout the gauge's range.
- Separate counters register both upward & downward travel.
- Hardened, stainless steel bar for long life
- Carbide tipped scriber for sharp, clean lines
- Base is hardened, ground and lapped for maximum flatness.

Item No.	Measuring range	Resolution	Counter Graduation	Price
3222-4205	0-12"	0.001"	0.1"	\$239.93

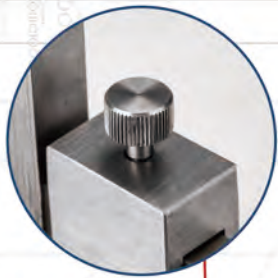
Dasqua[®] BUILT-IN BLUETOOTH ABSOLUTE HEAVY DUTY DIGITAL HEIGHT GAUGE



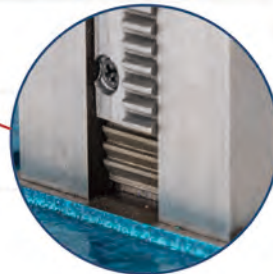
Item No.	Measuring range	Resolution	Accuracy	Price
3230-1105	0-300mm/0-12"	0.01mm/0.0005"	0.03mm/0.001"	\$417.34
3230-1110	0-600mm/0-24"	0.01mm/0.0005"	0.05mm/0.002"	\$589.53



- The new generation measuring serie with Built-in Bluetooth transmission
- Absolute function
- Heavy duty main beam and base
- Direct inch/metric conversion
- Large, easy-to-read digital display
- Carbide tipped scriber for sharp, clean lines
- Class A for electrostatic discharge
- Zeros-setting at any position



- Locking screw ground for precision feel



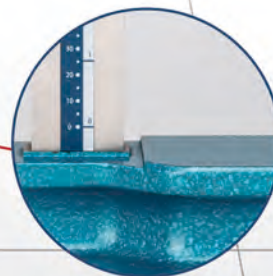
- Stainless steel beam assure longer service life



- Easy to read Large LCD display with multifunctional buttons



- Carbide-tipped scriber for sharp, clean accurate lines



- Precision steel base creates stable support



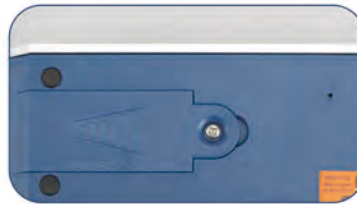
Dasqua® 6" DIGITAL PROTRACTOR

Absolute IP65 COOLANT & FLUID RESISTANT



- This revolutionary tool features a protractor, angle, finder and level in one measuring tool.
- Great tool for automotive, wood & mechanical industries, machinery, medical fields and etc.
- The V groove base with strong magnets enables strong attachment over a curve or cylindrical magnetic surfaces such as metal pipe or shaft.
- 6" level, 360° digital protractor and inclinometer is IP65-coolant resistant

Item No.	Range	Resolution	Accuracy	Price
8400-0005	4X90°	0.1°	0°-90°: +/-0.05° Rest of angle: +/-0.15°	\$76.81



Dasqua® DIGITAL Z-AXIS SETTER (AUTOMATIC POWER OFF)



- Includes CR2302 battery
- Supplied in fitted **Aluminum box**

Special hardened steel; No damage to cutting edge of tool during setting;
No feeler gauge or edge finder necessary.

Technical Data:

- Height of body-reference face:49mm;
- Indicator display:0.01mm;
- Height of Spring-mounted contact face:52.5mm;
- Height of the spring-loaded probe face when the Digital indicator reads 50mm
- Easy to set "0" point with large LCD screen



Item No.	Height	Graduation	Coolant resistant	Price
1801-1005	50mm	0.001mm/0.0005"	IP 65	\$105.74